

"Cair" offers ISO 5211 Standard Pneumatic Actuator as well Manual Hand Lever Operated Low Torque High Pressure Ball Valve.



Size Range : 1/2" to 2" Screwed

Actuator

Technical Specifications :

Type	Rack and Pinion Type
Actuation	Double Acting / Single Acting (Spring Return)
Mounting Std.	ISO 5211 An International Standard
Pneumatic Connection	NAMUR Standard

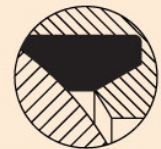
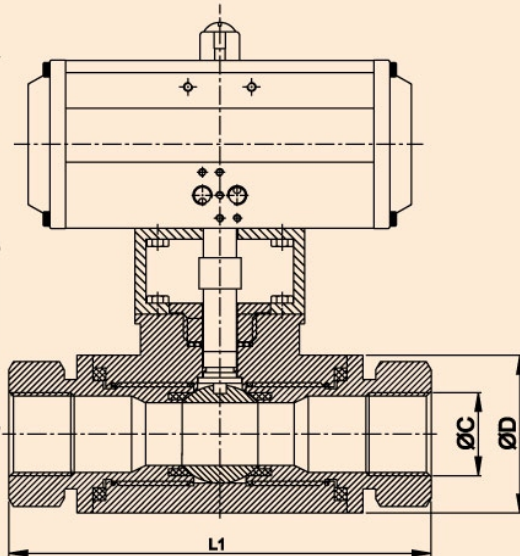
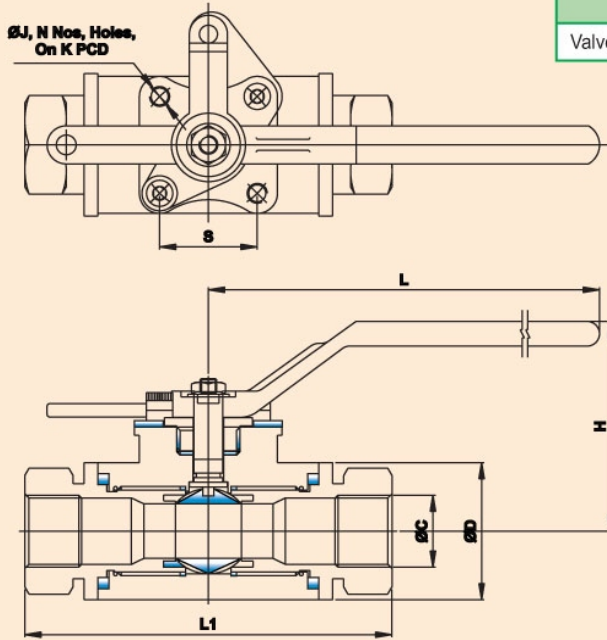
For more details please refer Catalogue APL / 1076

Ball Valve

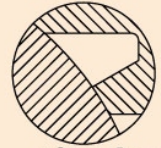
Technical Specifications :

Body	ASTM A216 Gr. WCB / ASTM A351 Gr. CF8 / CF8M
Ball	Stainless Steel AISI 304 / 316
Stem	Stainless Steel AISI 304 / AISI 316
Gland	Stainless Steel AISI 304 / AISI 316
Seat Packing	PTFE / 35% Carbon Filled PTFE
Gland Packing	Grafoil / Graphite / PTFE
Pressure	200 Kgs (3000 WOG)
End Connection	Screwed to - BSP / NPT, Socket Weld Ends

Item	Type of Test	Testing Pressure	Working Pressure
Valve Body Screwed End	Hydraulic	300 Kg	200 Kg



Before Fire



After Fire

Detail 'A'

Dimensions :

(All Dimensions are in mm)

Valve Model	Size		L	L1	H	C	D	S	J	N	PCD	Weight	
	MM	Inch										Actuator	Manual
WOG - 15	15	1/2"	160	98	75	12.7	39	25.4	M5X0.8	4	36	2.530	1.330
WOG - 20	20	3/4"	205	108	90	17.5	48	31	M6X1	4	42	3.440	1.440
WOG - 25	25	1"	205	108	96	22.3	55.5	31	M6X1	4	42	4.100	2.100
WOG - 32	32	1.1/4"	255	133	124	31.8	76.5	35.3	M6X1	4	51.5	8.150	4.850
WOG - 40	40	1 1/2"	255	133	124	31.8	76.5	35.3	M6X1	4	51.5	7.580	4.280
WOG - 50	50	2"	255	159	125	38.1	89.5	35.36	M6X1	4	51.5	13.790	7.420